



# Acme Sanitary Ware Co Ltd



Acme Building, 22-28 Nanking Street, Kowloon, Hong Kong  
Tel: 2388 7171 Fax: 2710 8012  
E-mail: acme@acmesanitary.com.hk  
Website: www.acmesanitaryware.com.hk



Pure Freude  
an Wasser

PROJECT		REF		REV	ITEM CODE	
LOCATION		DATE			PAGE	

## SANITARY WARE SPECIFICATION SHEET

<p><b>Item Descriptions</b></p> <p><b>Dimensions</b></p> <p><b>Model</b></p> <p><b>Finish / Material</b></p> <p><b>Country of origin</b></p> <p><b>Manufacturer</b></p> <p><b>Supplier</b></p> <p><b>Contact Tel/Fax</b></p> <p><b>E-mail</b></p> <p><b>Website</b></p>	<p>GROHE (Germany) "Grotherm SmartControl" Chrome plated 1/2" combi thermostatic shower mixer with 3 valves</p> <p>L351 x W181 x H72 mm</p> <p>26449000 (Shower mixer) 34713000 (Concealed body)</p> <p>Chrome Plated</p> <p>Germany GROHE Limited</p> <p>Acme Sanitary Ware Co. Ltd Mr. Eric Wong/ Mr. Don Yuen</p> <p>(852) 2388-7171 / (852) 2710-8012 acme@acmesanitary.com.hk www.acmesanitary.com.hk</p>	<p><b>Illustration/ Drawing</b></p>  <p><b>"Grotherm SmartControl" 1/2" combi thermostatic shower mixer</b></p> <ul style="list-style-type: none"> <li>· wall mounted</li> <li>· GROHE CoolTouch no risk of scalding</li> <li>· GROHE StarLight chrome finish</li> <li>· GROHE TurboStat compact cartridge with wax thermoelement</li> <li>· GROHE ProGrip with knurl structure</li> <li>· GROHE SafeStop at 38°C</li> <li>· GROHE SafeStop Plus optional temperature limiter at 43°C included</li> <li>· GROHE EcoJoy technology for less water and perfect flow</li> <li>· GROHE SmartControl push for ON-OFF, turn for volume adjustment from EcoJoy to full flow</li> <li>· exchangeable symbols</li> <li>· GROHE EasyReach shower tray</li> <li>· shower bottom outlet 1/2"</li> <li>· multiple outlets can be run simultaneously</li> <li>· protected against backflow</li> <li>· requires concealed body 26 449 000 – to be ordered separately</li> </ul> <p><b>Concealed body for exposed/concealed variants</b></p> <ul style="list-style-type: none"> <li>· wall mounted</li> <li>· 2 outlets 1/2"</li> <li>· installation depth 75-105 mm</li> <li>· flushing plug</li> <li>· material for wall sealing included</li> <li>· installation device</li> </ul>  <p><b>Colour options:</b></p> <ul style="list-style-type: none"> <li>● 000 Chrome</li> <li>○ LS0 MoonWhite</li> </ul>
---	--	--

Note YouTube [HK \(GROHE SmartControl Installation\) https://www.youtube.com/watch?v=TI7oeK5ViKQ](https://www.youtube.com/watch?v=TI7oeK5ViKQ)

YouTube [HK \(GROHE - Let's be smart\) https://www.youtube.com/watch?v=tXhARQ1mIp8](https://www.youtube.com/watch?v=tXhARQ1mIp8)

\* All information of the above is for the reference only. No prior notice is made if any changes.



# Acme Sanitary Ware Co Ltd

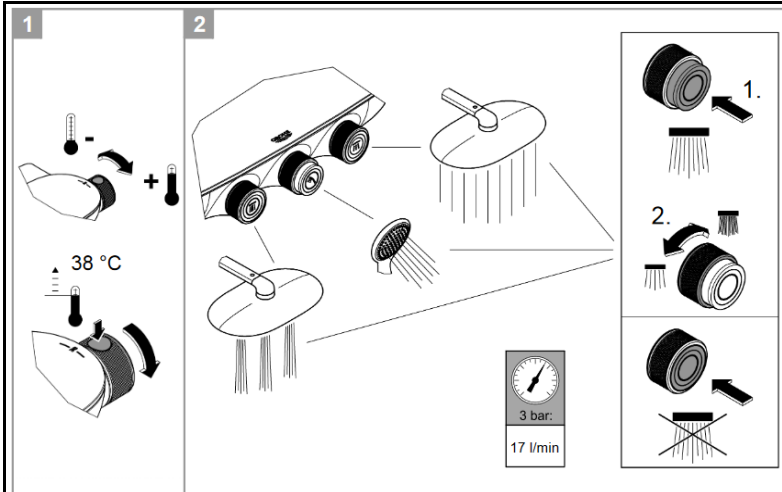
Acme Building, 22-28 Nanking Street, Kowloon, Hong Kong  
Tel: 2388 7171 Fax: 2710 8012  
E-mail: acme@acmesanitary.com.hk  
Website: www.acmesanitaryware.com.hk



Pure Freude  
an Wasser

PROJECT		REF		REV	ITEM CODE	
LOCATION		DATE			PAGE	

## SANITARY WARE SPECIFICATION SHEET



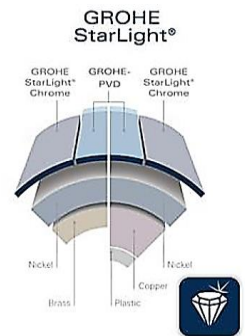
**GROHE COOLTOUCH**  
No scalding on hot surfaces thanks to 100 % GROHE CoolTouch.



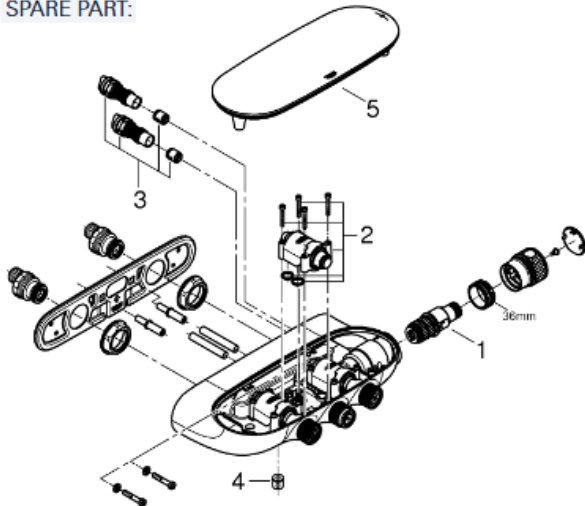
**GROHE STARLIGHT**  
Made-to-last surfaces ranging from precious matt to shiny like a diamond.



**GROHE ECOJOY**  
Save precious resources and enjoy 100 % water comfort.



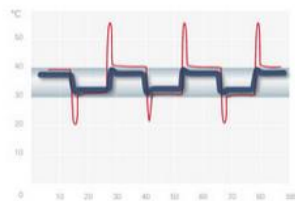
### SPARE PART:



**GROHE TurboStat®**

Grohtherm thermostats are equipped with the most advanced and precision-made cartridges in the industry. By increasing the sensitivity of the thermo-element, our thermostats react to changes in water pressure twice as fast as before.

So, no more time and water wasted fiddling with the controls to get the temperature right.

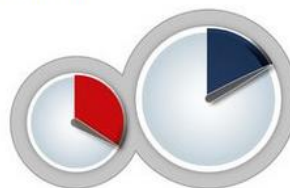


Compensating precisely for fluctuations in temperature and pressure results in a consistent and comfortable shower throughout. The GROHE TurboStat® thermo-element at the heart of GROHE thermostats.

6		36mm	1	
7			2	

Pos.-nr.	Prod. Description	Order-nr.
1	Thermostatic compact cartridge 1/2"	47439000
2	Cartridge	48297000
3	Non-return valve	4901000M
4	Non-return valve	08565000
5	cover	48482000
6	Socket spanner	49059000*
7	GROHE TurboStat cartridge 1/2"	47175000*

\* Optional accessories



Exceptionally swift reaction to water-pressure fluctuations.



Note:

\* All information of the above is for the reference only. No prior notice is made if any changes.



Department

Waterworks Ordinance  
Immigration and Customs  
404 Gloucester Road, Hong Kong

電子郵遞  
e-mail [wsdinfo@wsd.gov.hk](mailto:wsdinfo@wsd.gov.hk)

圖文傳真  
Facsimile 2824 0578

檔號  
Reference (2) in WSD 3321/18 Pt.1 T/J(139)

6 March 2018

### Approval of "GROHE" Thermostatic Mixer

Your letter ref. WRC/1602 dated 6 February 2018 refers.

Having considered the test report ref. J22135 issued on 3 November 2017 by Nutek Systems (HK) Ltd., this Authority accepts that the fitting described below complies with, and its use when correctly installed does not contravene, the Waterworks Ordinance and Regulations.

**Name of Manufacturer:** Grohe AG  
**Country of Origin:** Portugal  
**Brand:** Grohe  
**Details of Fitting:** 1/2" Thermostatic shower mixer  
**Model:** 26449000 + 34713000  
**Body Markings:**   
**Expiry Date:** 24 October 2022

This Authority hereby permits the use of the above fitting in fresh water plumbing systems subject to full adherence to Waterworks installation requirements. In particular, you are required to draw your customers' attention to the following requirement-

"The cold water supply to the fitting shall be drawn from the same source that supplies the hot water apparatus so as to provide a balanced pressure and to obviate the risk of scalding in the event of a restriction or failure in the water supply." AND

"The shower head or handspray should not be placed in submerged conditions and should be securely fixed to the original position after use."

A condition of this acceptance is that the fitting to be installed shall be replicas of the sample as certified by the testing agent mentioned above and without modifications. This acceptance may be withdrawn at any time if the standard of the fitting installed fails to meet that of the approved sample or if the fitting is found to be unsuitable for use in fresh water plumbing systems.

This acceptance is only applicable to the main body of the fitting, unless other specified.

For the use of the fitting in any project, the Acceptance Reference Number at the bottom of this letter must be quoted as a means of identification of acceptance of the fitting by this Authority.

Should you have any enquiries, please contact our Engineer Mr. Terry KUNG at tel. no. 3583 4086.

Yours faithfully,



(CHAN Chung Kun)  
for Water Authority

c.c. WSD 3321/1/82 ] - without catalogue  
ME/MC ] - with soft copy only